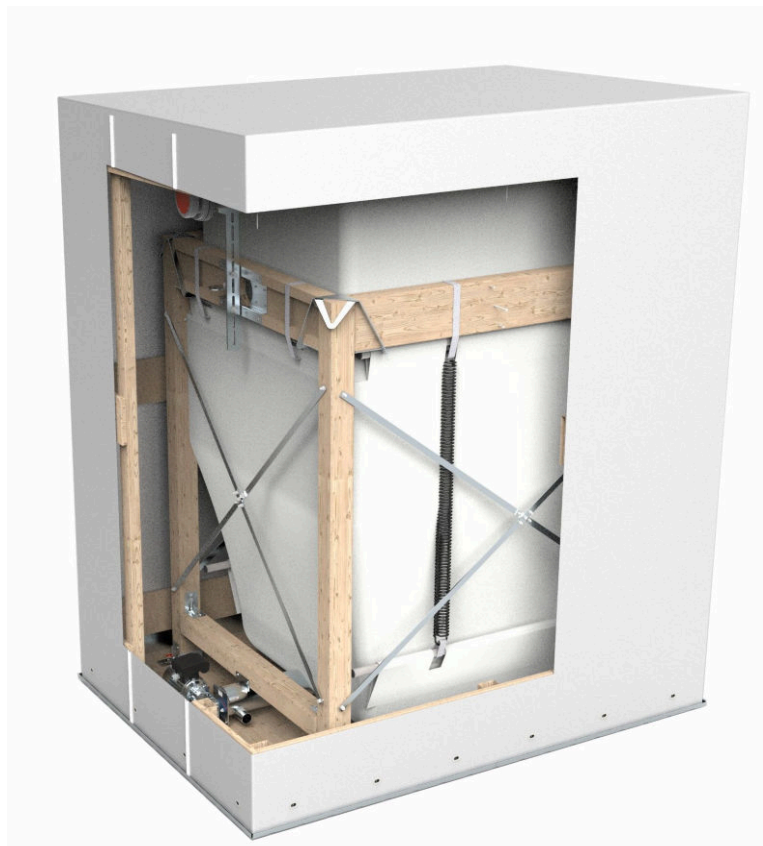


Installation manual



Pellet Outside Storage 1814

ENGLISH



PE729EN

Title: Installation manual Pellet Outside Storage
Article number: PE729EN
Version valid from: 01/2024
Approved: Christian Wohlinger

Author

ÖkoFEN Forschungs- &
EntwicklungsgesmbH
A-4133 Niederkappel, Gewerbepark 1
Tel.: +43 (0) 72 86 / 74 50
Fax.: +43 (0) 72 86 / 74 50 - 210
E-Mail: oekofen@pelletsheizung.at
www.oekofen.com

© by ÖkoFEN Forschungs- und EntwicklungsgesmbH
Subject to modifications

Contents

1 Dear Customer	4
1.1 Intended use	4
2 Types of safety warning sign	5
3 Planning Pellet Outside Storage	6
3.1 General	6
3.2 Preparatory work.....	7
3.3 Dimensions.....	8
4 Preparation surface	9
5 Parts list	10
6 Structure base plate	16
7 Structure fabric tank	18
8 Structure base frame	20
9 Application foil	29
9.1 Do-it-Yourself facade.....	30
10 Line routing	31

1 Dear Customer

Proficiency, innovation and quality combined. This is the tradition on which ÖkoFEN shapes the future. We are very pleased that you too have decided to purchase a product from ÖkoFEN.

- This manual is intended to help you operate the product safely, properly and economically.
- Please read this manual right through and take note of the safety warnings.
- Keep all documentation supplied with this unit in a safe place for future reference. Please pass on the documentation to the new user if you decide to part with the unit at a later date.
- Please contact your authorised dealer if you have any questions.

ÖkoFEN attaches great importance to the development of new products. Our R&D Department repeatedly challenges the effectiveness of tried-and-tested systems and works continuously on improvements. In this way, we secure our technological advantage. We have already received many national and international awards for our products.

All our products comply with European standards in respect of quality, efficiency and emissions.



1.1 Intended use

The FleXILO storage tank is designed for the storage of pellets for heating systems in detached and semi-detached houses or commercial buildings. Use of the FleXILO storage tank for other purposes is not permitted. No reasonably foreseeable forms of misuse of the FleXILO storage tank are known.

The following Austrian standards, guidelines and specifications have been applied:

Standards	Designation
EN ISO 17225-2	Pellets for non-industrial use

2 Types of safety warning sign

The warning signs use the following symbols and texts.

Types of safety warning sign

1. Risk of injury
2. Consequences of risk
3. Avoiding risk

DANGER

Danger - indicates a situation that could lead to death or lifethreatening injury.

- ▶ Observe the instructions for eliminating this hazard!

WARNING

Warning - indicates a situation that could lead life-threatening or serious injury.

CAUTION

Caution - indicates a situation that could lead to injury.

NOTICE

- ▶ indicates a situation that could lead to property damage.

3 Planning Pellet Outside Storage

3.1 General

Preparations

1. Where and how are the suction lines, power supply for motor (5 x 1,5 mm²) and grounding (min. 6 mm²) routed into the house?
2. Selection of suitable above- or below-ground cable routing and wall penetration incl. watertightness must be taken into account.
 - The pipes must be installed above ground in a protective pipe of at least Ø DN160
 - or at least Ø DN200 must be routed underground.
3. Use only bends with 45° to allow easy retraction of the hoses.



For the Flexilo Outdoor outdoor tank, a paved subsoil and a gravel subsoil with a minimum height of 10 cm are required. Additional concrete slabs facilitate the installation of the tank and additionally improve the stability.

NOTICE

Accumulated water must be avoided at all costs!



If underground installation of the suction hoses is selected, the protective tube must be at least 5 cm above the inner floor edge of the external tank. The protective tube should protrude to the left or right in the motor area of the tank. The base plate must be sufficiently recessed in this area

NOTICE

Depending on local conditions, the distance from the house wall should be 30-50 cm.

- Observe the country-specific regulations.

⚠ CAUTION

The tank must be protected from the weather during installation!

Complete resistance to weathering exists only when the film is mounted on the tank completely closed.

Required tools

<ul style="list-style-type: none"> • Horizontal bar 2 m • Measuring tape 	<ul style="list-style-type: none"> • Pencil • Jigsaw 	<ul style="list-style-type: none"> • Drill, bit inserts, screws • Wood drill Ø 4 mm • Hole saws approx. Ø 51 mm ± 1 mm and approx. Ø 30 mm ± 1 mm
--	--	--

3.2 Preparatory work

Secure location choice

- Level surface, free from backwater
 - Safety against slipping, accessibility for filling process
 - Excavate the soil at least 10 cm, compact and gravel.
-
- **Recommendation:**
 - Align 7 pieces of concrete slabs (40x40x4 cm) in the scale.

Above-ground or underground laying of the suction hoses

NOTICE

Line length must not exceed 20 m per hose.

Variant 1 underground cable routing

- In the case of underground piping, install a protective pipe with at least \varnothing DN200 and bends with max. 45°.
- Install the wall duct by means of a pipe duct and a lining pipe (to be provided in the concrete formwork).
- Check with the builder or an expert to determine the appropriate penetration for a brick wall.
- The pipe should protrude so far from the ground that the end of the pipe is at least 5 cm above the top of the ground.

NOTICE

Until the tank is fully built up, the pipe end must remain closed.

Variant 2 above ground line routing

- For above-ground piping, install a protective pipe with at least \varnothing DN160 and bends with max. 45°.
- Install the wall duct by means of a pipe duct and a lining pipe (to be provided in the concrete formwork).
- Check with the builder or an expert to determine the appropriate penetration for a brick wall.
- Attach the DN160 wall bracket (accessory) on the outside and lay the protective pipe with 45° bends up to the outer tank.
- At the tank there is an insertion nozzle on which the hoses as well as the adapter for the protective tube can be mounted.

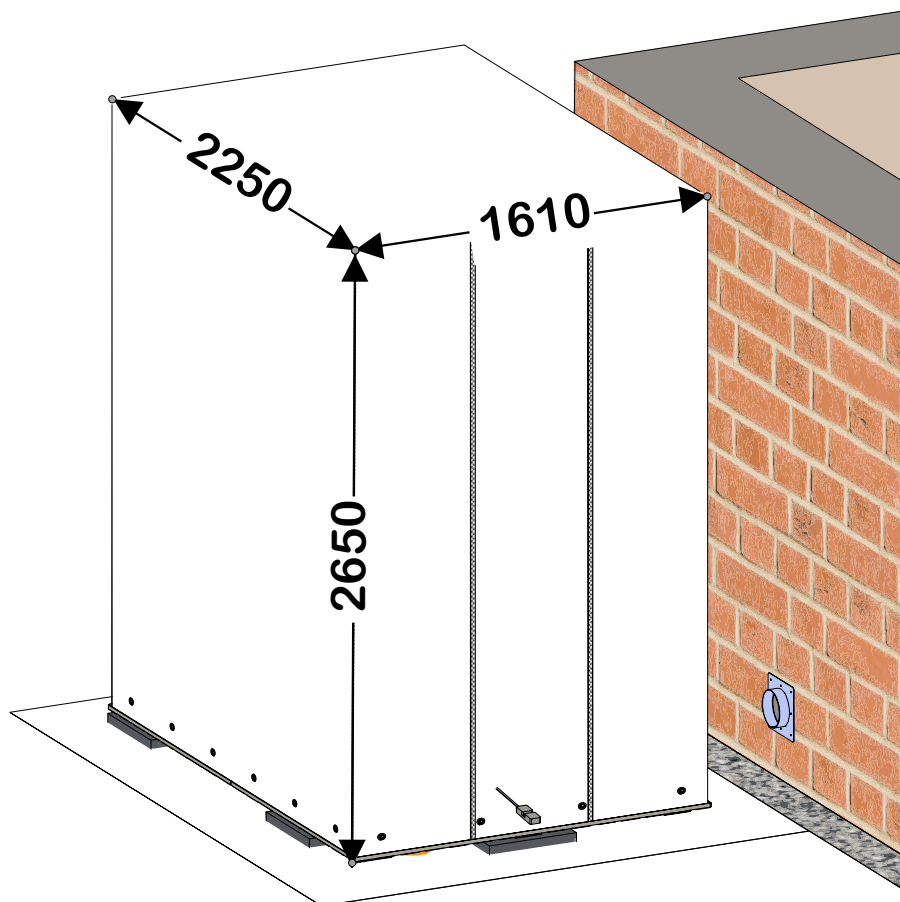
Grounding/potential equalization

- Grounding of the filling nozzle:

Observe the country-specific regulations.



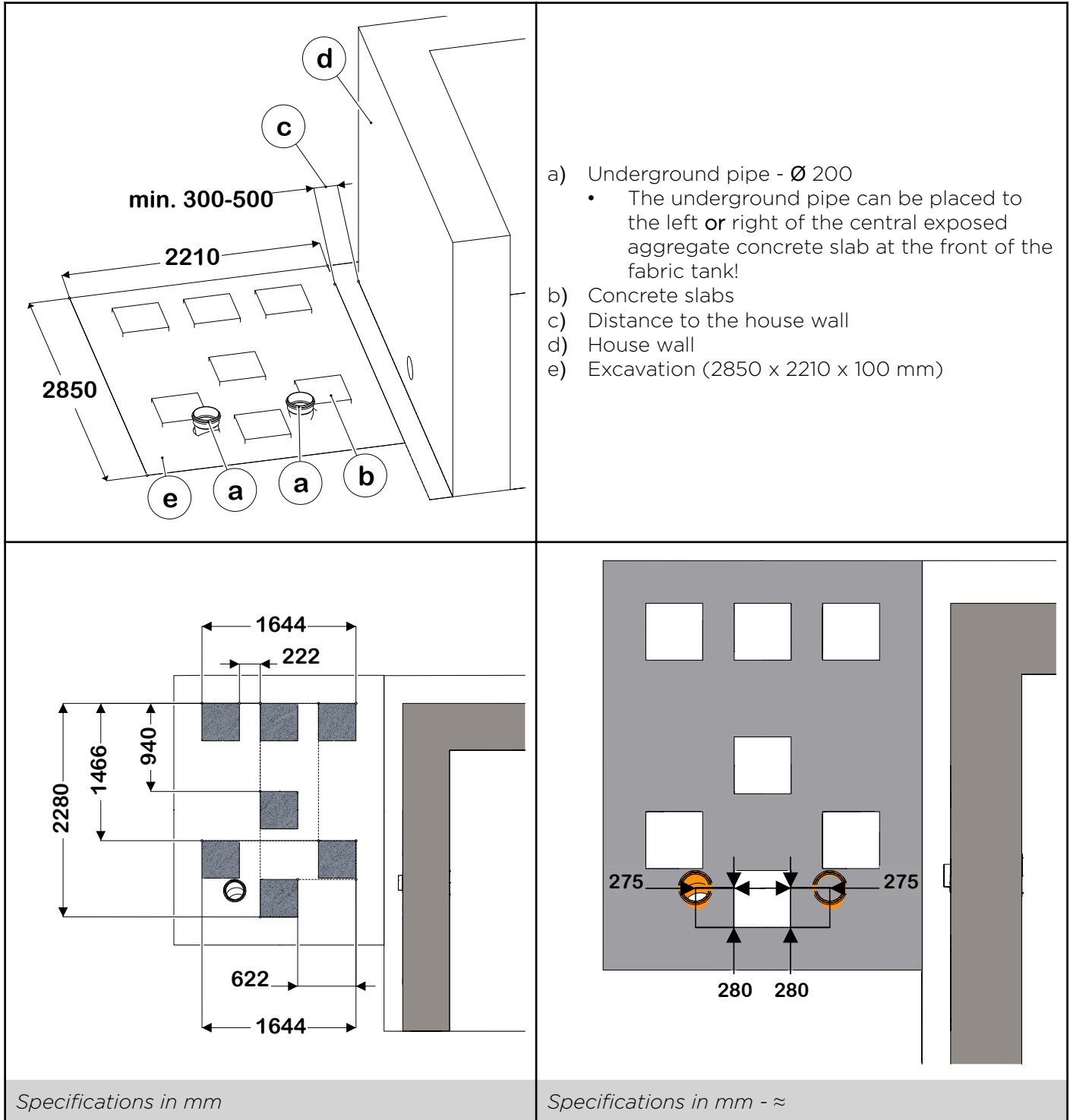
3.3 Dimensions



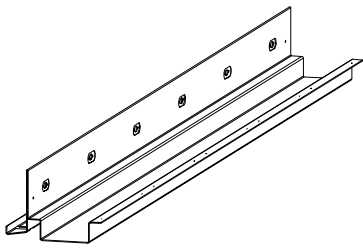
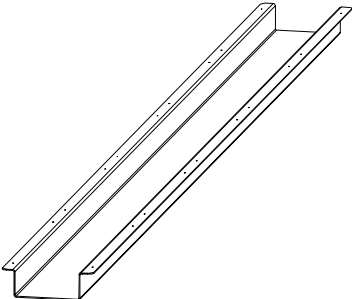
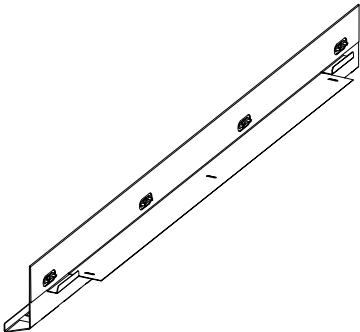
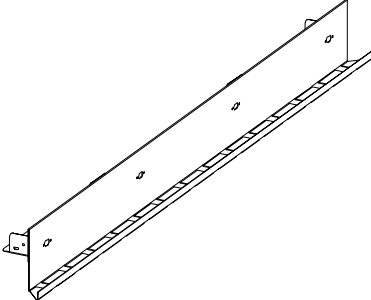
4 Preparation surface

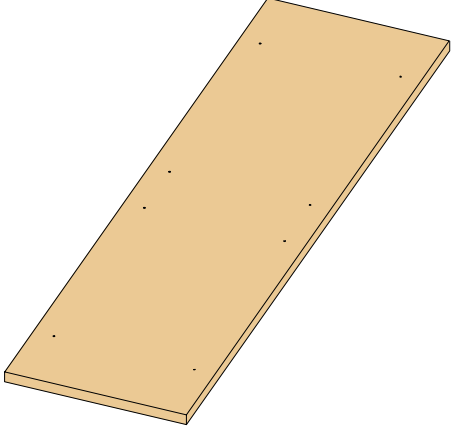
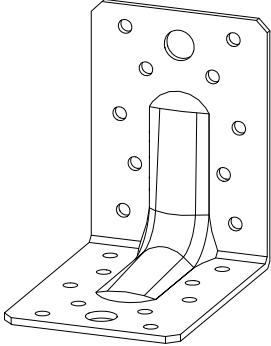
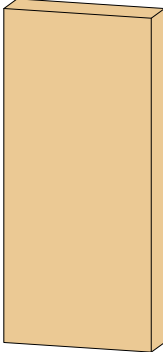
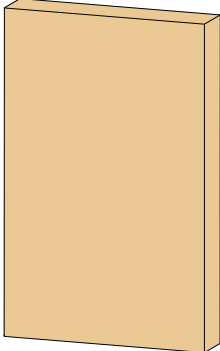



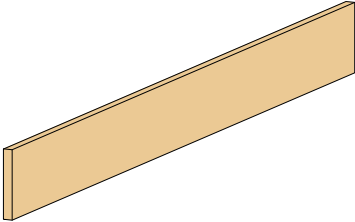
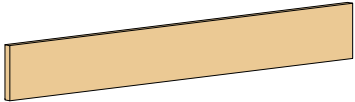
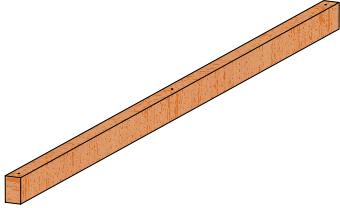
There are different regulations in the different European countries. Please mind the prescription of your country.

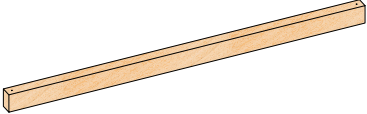

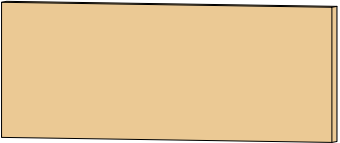
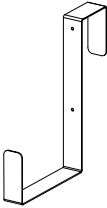
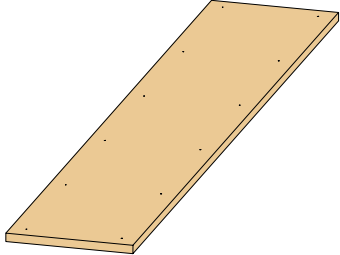


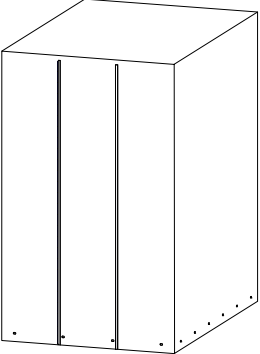
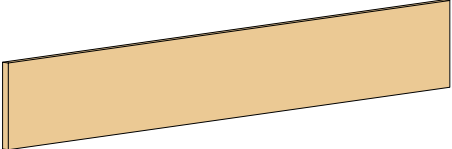
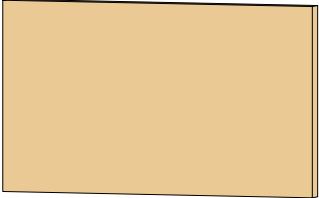
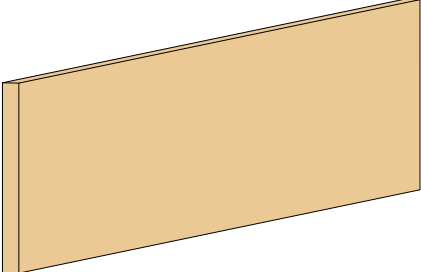
5 Parts list

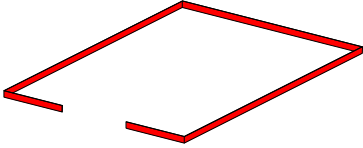

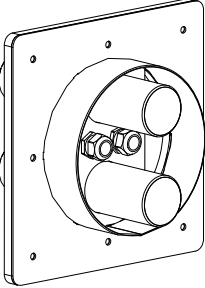
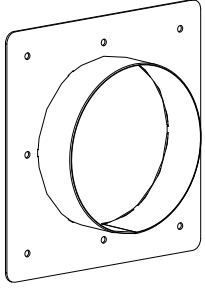
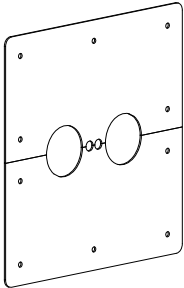
No.	Part	Dimensions in mm	Quantity	Illustration
1	Foot profile		2	
2	Middle foot profile		1	
3	Rear foot profile		1	
4	Front foot profile		1	

No.	Part	Dimensions in mm	Quantity	Illustration
5	Base plate	27x438x1556	5	
6	Angle connector		4	
7	Spacer boards rear	27x90x200	6	
8	Spacer boards side	27x127x200	6	

No.	Part	Dimensions in mm	Quantity	Illustration
9	Stand	50x80x2300	8	
10	Longitudinal boards	27x200x2186	4	
11	Cross boards	27x200x1608	2	
12	Longitudinal profile roof	50x80x2186	4	

No.	Part	Dimensions in mm	Quantity	Illustration
13	Rafters	50x80x1554	6	
14	Upright extension	50x80x158	2	
15	Cross board front short	27x200x508,5	4	
16	Door holder		1	
17	Roof boards	27x402x2240	4	

No.	Part	Dimensions in mm	Quantity	Illustration
18	Foil		1	
19	Longitudinal boards top	27x300x2186	2	
20	Cross board front short - top	27x300x508,5	2	
21	Cross boards top	27x300x1608	1	

No.	Part	Dimensions in mm	Quantity	Illustration
22	Nail tape - 20 m roll		1	
23	Small parts		1	
24	Suction socket set		1	
25	wall connection - outside		1	
26	wall connection - inside		1	



Check the completeness of the delivery before starting assembly.

6 Structure base plate



Align the 2 outer foot profiles so that the outer edges of the foot profiles are flush with the outer edges of the exposed aggregate concrete slabs.

Align the middle foot profile so that the support surface is in the same alignment as that of the outer foot profiles and ensure central positioning on the exposed aggregate concrete slab!

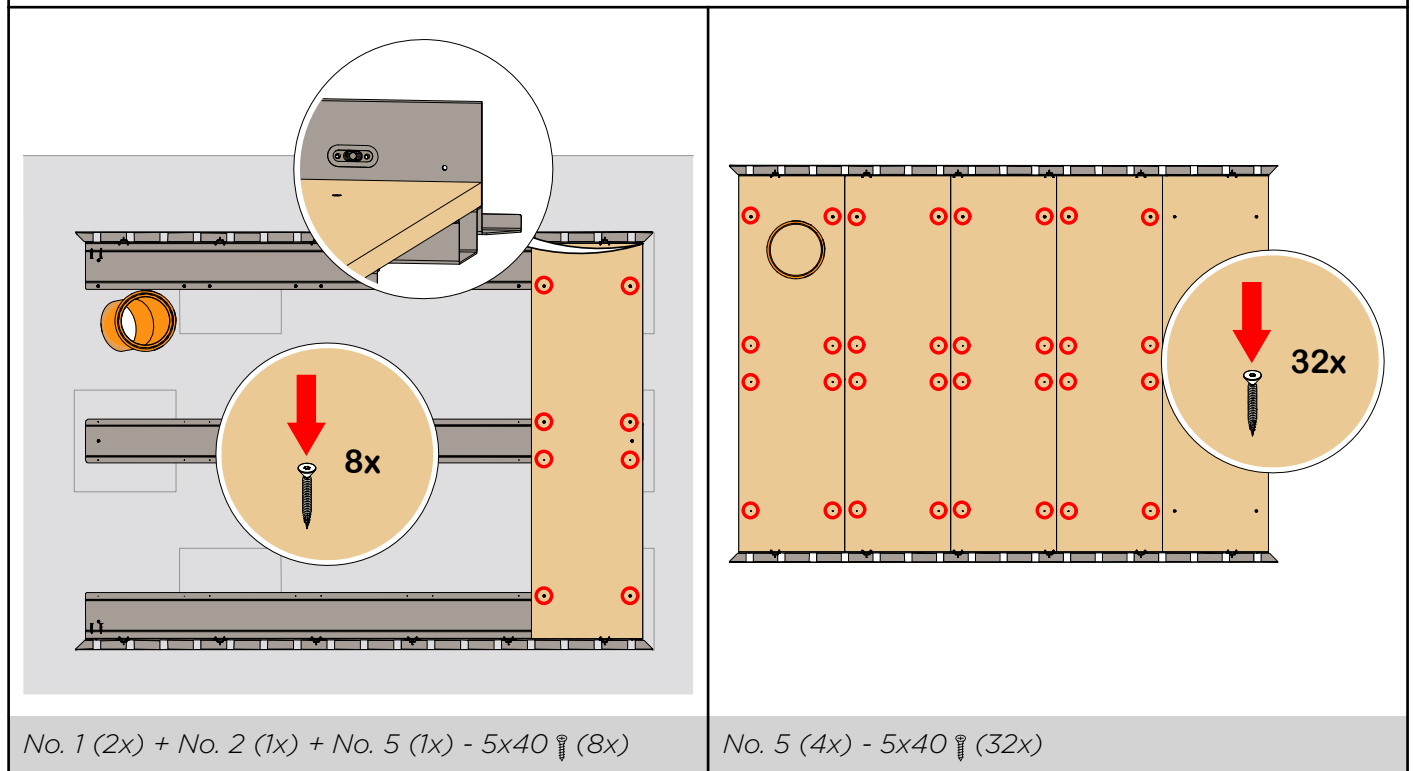
Make sure that the surface is horizontal!

NOTICE

The base plates must be pre-drilled and then screwed horizontally. Then clean the base plates.

1. Place the foot profiles on the exposed aggregate concrete slabs and then screw the base plates together (make sure they are perpendicular).

In the area where the underground pipe is located, cut out the base plate with a hole saw \varnothing 200.



<p>Dimensions mounting screws</p>	<p>2. Screw the front and rear foot profiles to the base plates. A: Front foot profile B: Rear foot profile</p>
<p>Specifications in mm</p>	<p>No. 3 (1x) + No. 4 (1x) - 5x40 (6x) + ØM5 </p>

NOTICE

Check the placement of the floor on the exposed aggregate concrete slabs!

The outer edges of the foot profiles must be flush with the exposed aggregate concrete slabs at the sides and front of the outer tank.

- Adjust the position of the exposed aggregate concrete slabs if necessary!

7 Structure fabric tank

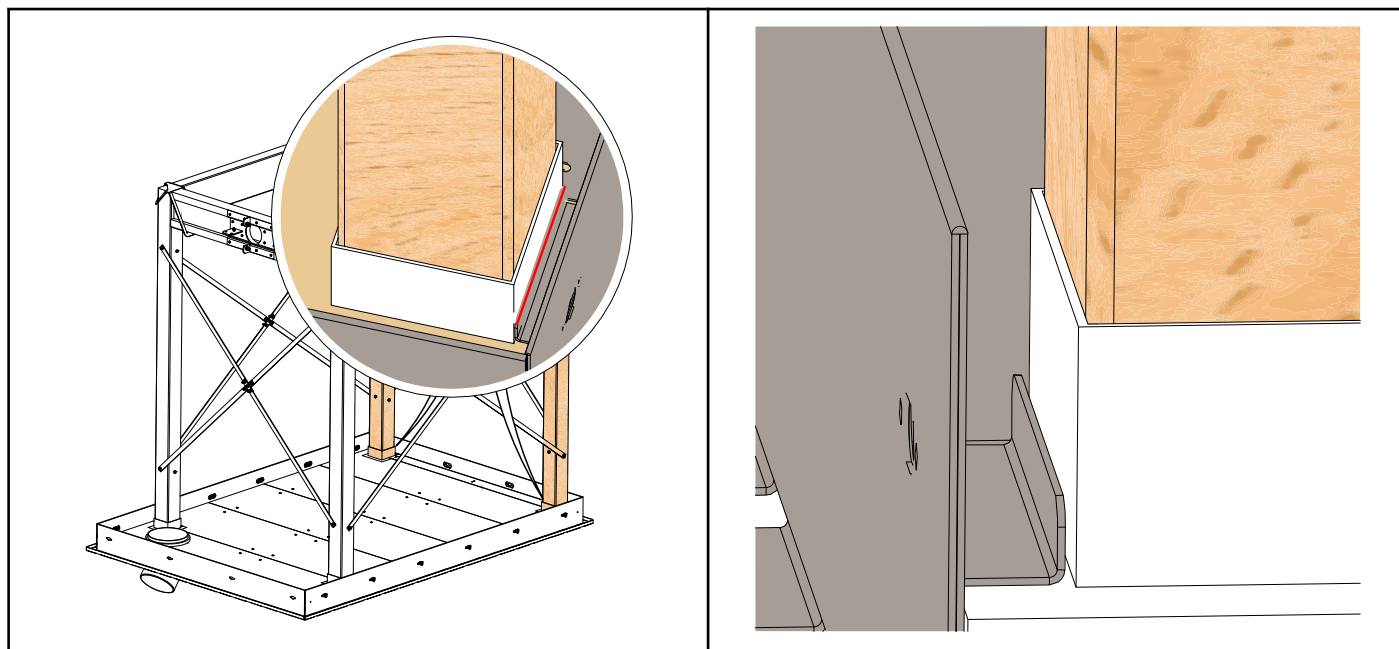
Assemble the fabric tank according to the enclosed assembly instructions.

NOTICE

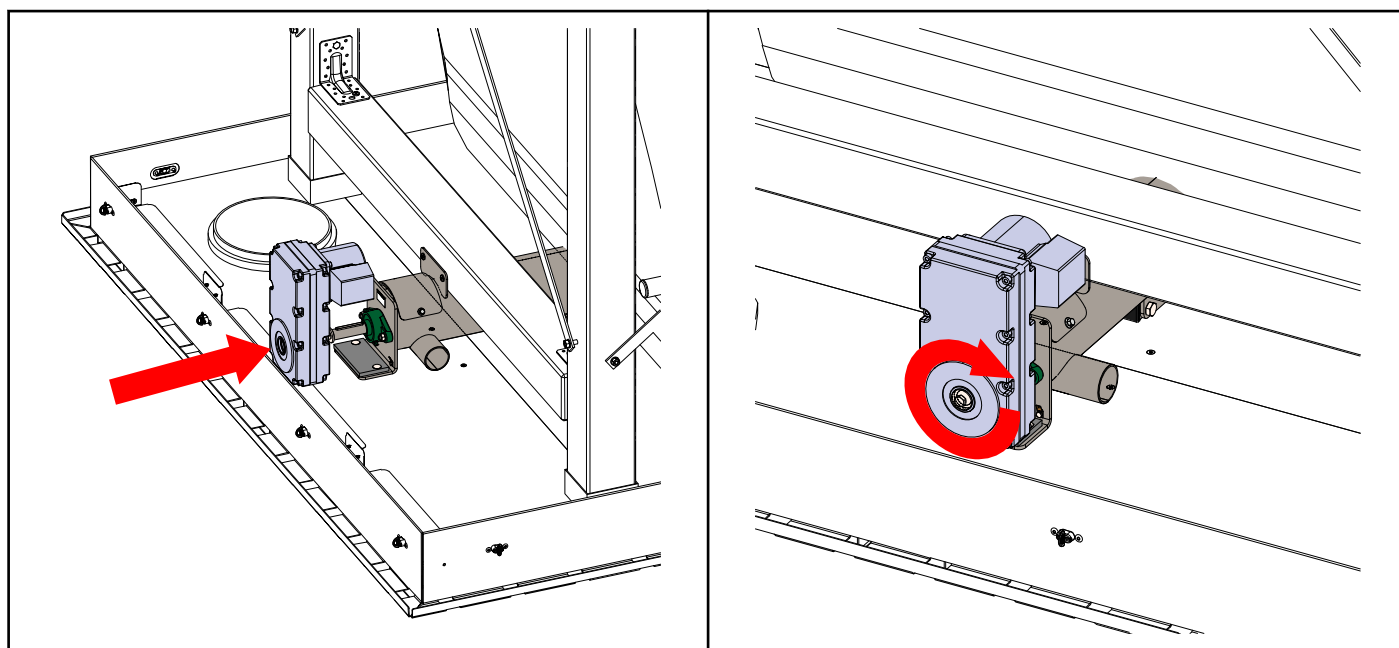
Place the 2 rear stands against the tab.

Make sure they are parallel and positioned at a right angle.

- ▶ Check the diagonal dimension!



Mounting of the drive unit



NOTICE

Observe motor alignment!

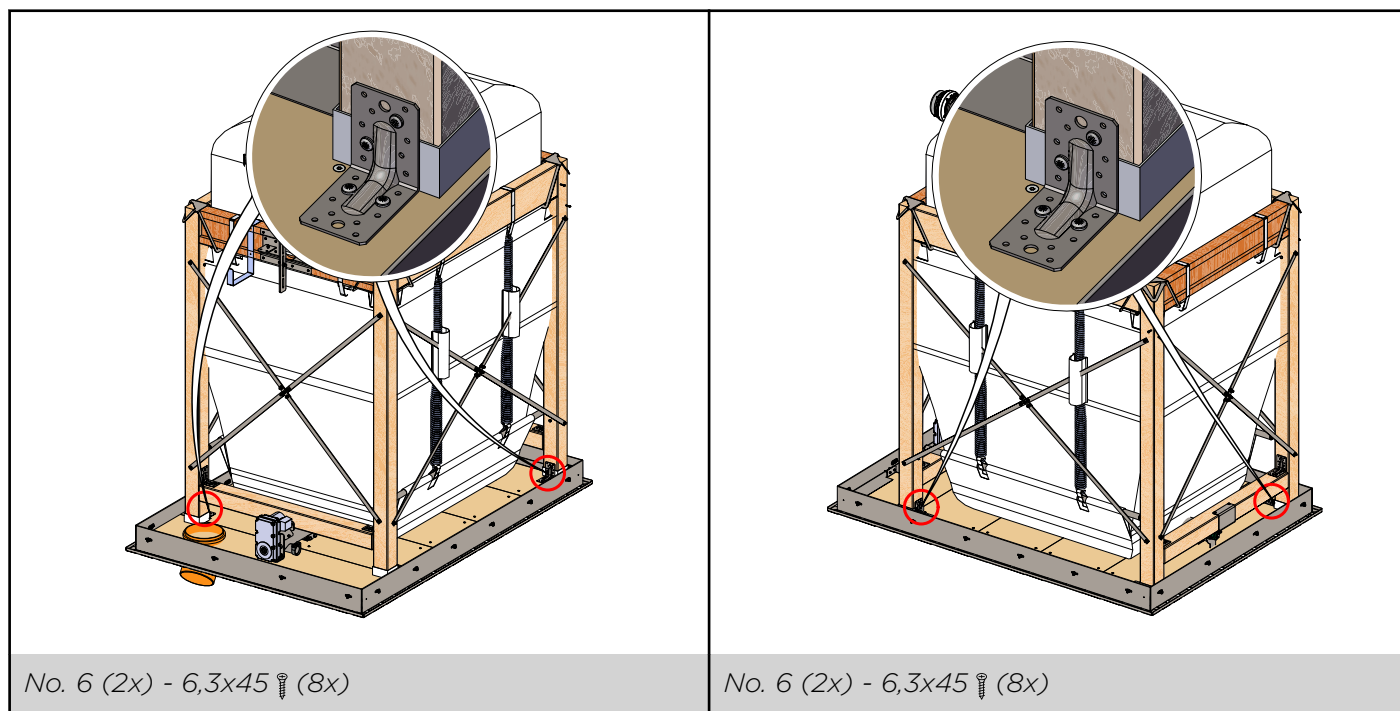


Once the fabric tank has been fully assembled, all 4 stands must be screwed to the base plate using the enclosed fastening set (4x).

NOTICE

Ensure accurate perpendicular alignment before securing the fabric tank with the mounting kit.

- ▶ Check the diagonal dimension!



8 Structure base frame

NOTICE

Damage to the fabric

The wood screws must not be countersunk too deeply and should be flush with the wood.

Assembly of the spacer boards



Carry out the process on both sides.

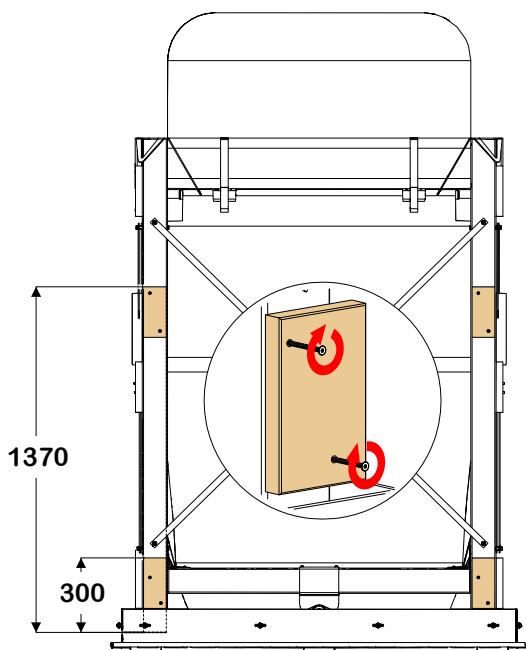
NOTICE

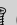
The spacer boards must be pre-drilled.

NOTICE

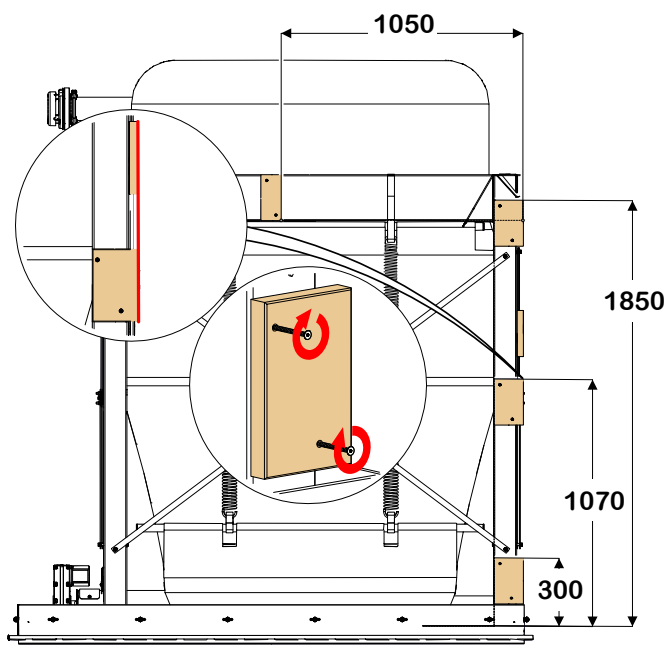
The side spacer boards must be aligned flush with the rear spacer boards.


1. Place and screw the 4 spacer boards (27x90x200) to the back of the fabric tank.



No. 7 (4x) - 5x70  (8x)

2. Place and screw the 3 spacer boards (27x127x200) to the side of the back of the fabric tank and 1 spacer board (27x90x200) to the side of the top of the fabric tank.



No. 8 (6x) + No. 7 (2x) - 5x70  (16x)

Specifications in mm - from base plate

Assembly of the stands

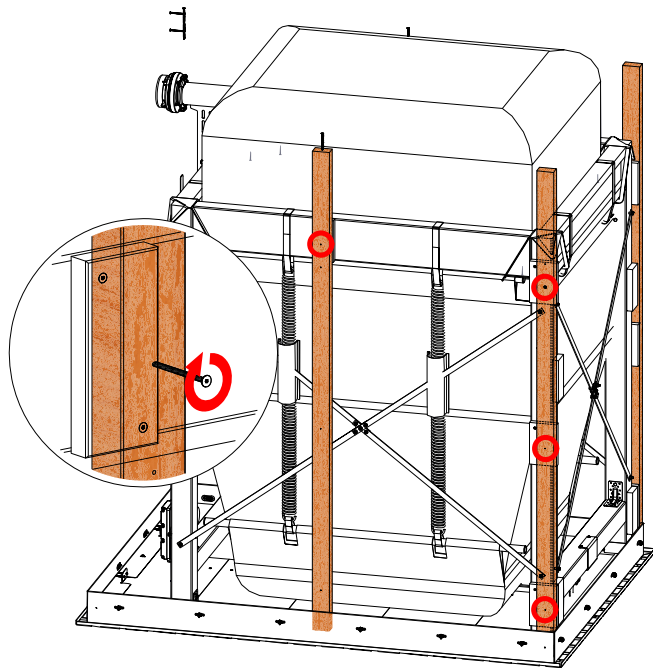



Carry out the process on both sides.

NOTICE

The stands must be pre-drilled.

1. Place and screw the two stands to the sides of the fabric tank with the spacer boards (4x each side).



No. 9 (4x) - 6x150  (8x)

Assembly of the lower longitudinal and cross boards

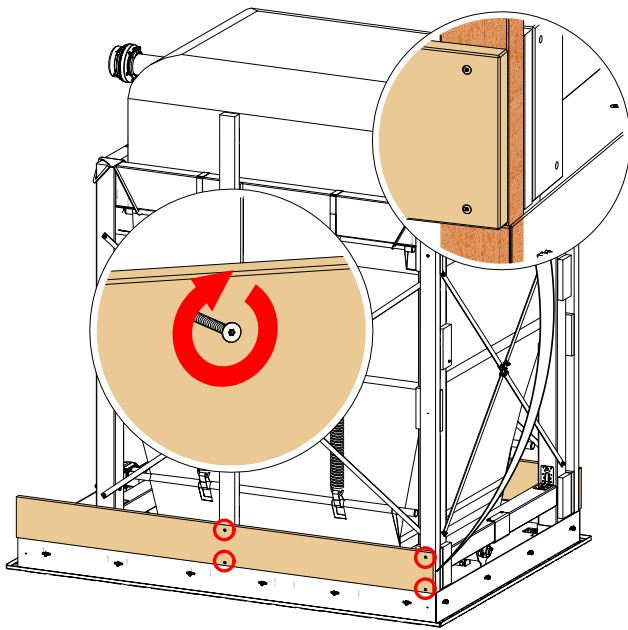



Carry out the process on both sides.

NOTICE

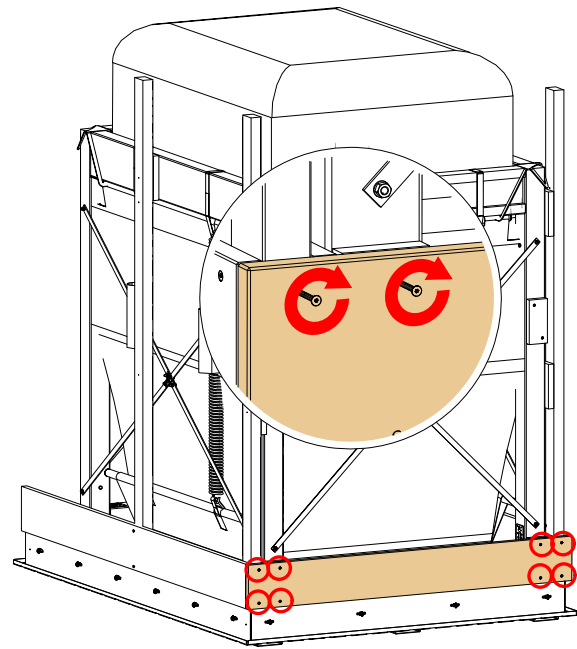
The longitudinal and cross boards must be pre-drilled.


1. Place and screw the longitudinal board to the underside of the fabric tank with the spacer boards (4x each side).



No. 10 (2x) - 5x70  (4x)

2. Place and screw the cross board to the underside of the fabric tank with the spacer boards (8x).



No. 11 (1x) - 5x70  (8x)

Assembly of the front stands

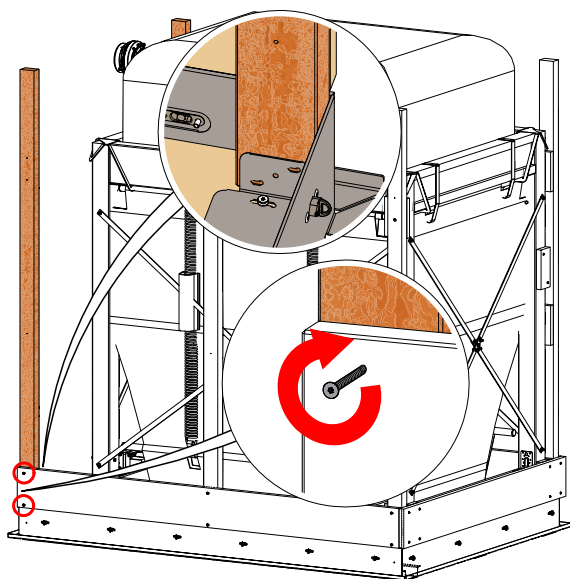



Carry out the process on both sides.

NOTICE

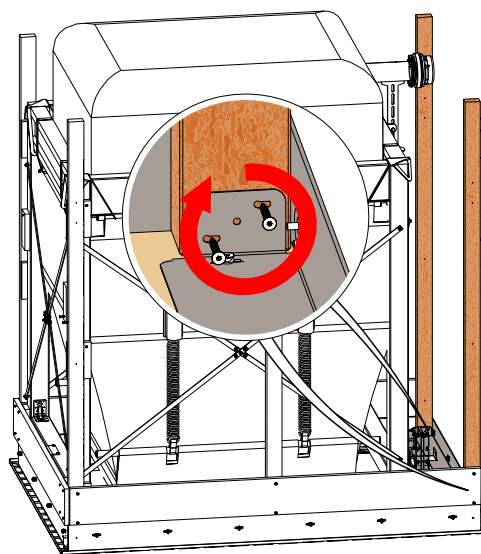
The stands must be pre-drilled.

1. Place and screw the stands to the bottom of the fabric tank with the longitudinal boards (2x on each side).



No. 9 (2x) - 5x70  (4x)

2. Screw the stands to the foot profile on the inside (2x on each side).



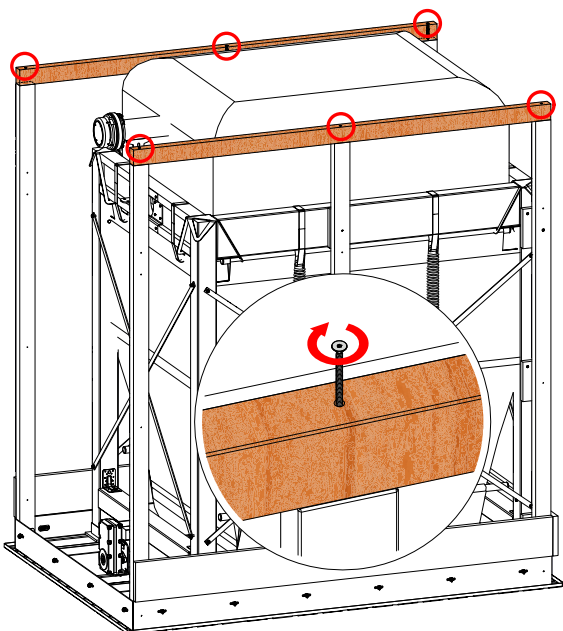
5x40  (4x)

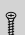
Assembly of longitudinal profiles and rafters

NOTICE

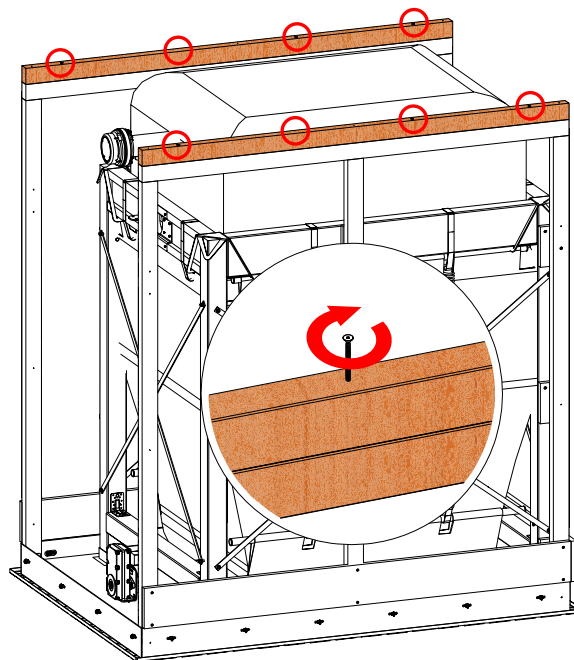
The longitudinal profiles and rafters must be pre-drilled.


1. Place and screw the 2 longitudinal profiles to the stands.



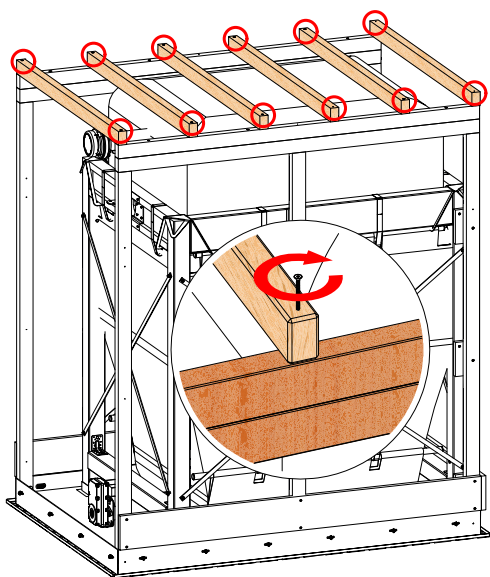
No. 12 (2x) - 6x150  (6x)


2. Place and screw the 2 longitudinal profiles to the profiles.

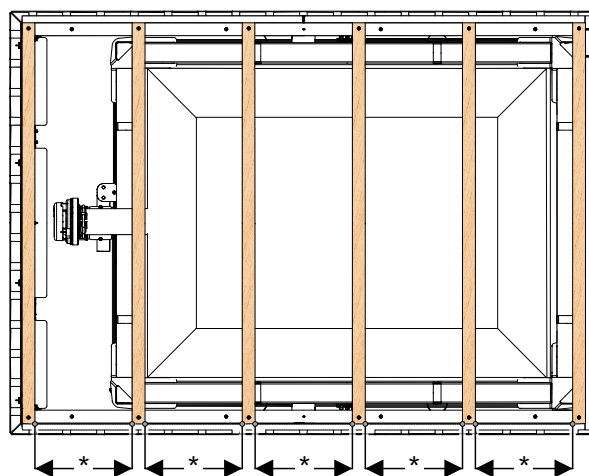


No. 12 (2x) - 6x150  (8x)

3. Place and screw the two outermost rafters to the longitudinal profiles and divide the remaining 4 rafters evenly.



No. 13 (6x) - 6x150  (12x)



* = 378 mm

Assembly of the cross and longitudinal boards

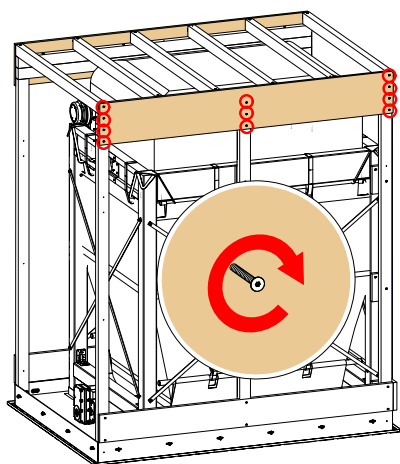


Carry out the process on both sides.

NOTICE

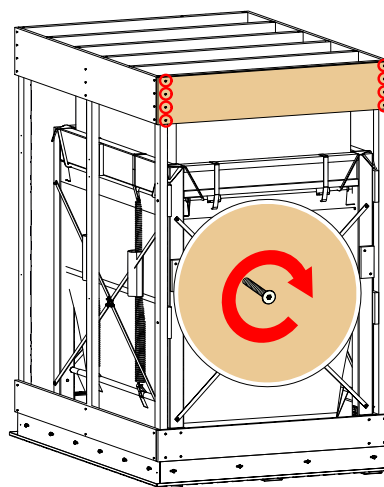
The longitudinal and crossboards must be pre-drilled.

1. Place and screw the longitudinal board to the longitudinal profiles of the roof and the uprights (11x each side).



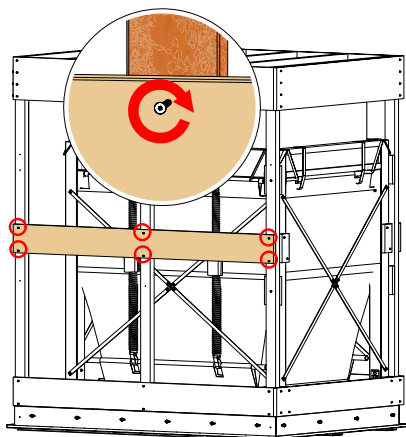
No. 19 (2x) - 5x70  (22x)


2. Place and screw the rear cross board to the longitudinal profiles of the roof and the uprights.



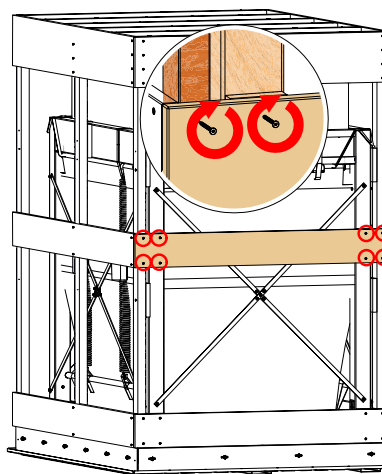
No. 21 (1x) - 5x70  (8x)

3. Place and screw the longitudinal board to the uprights at the height of the rear spacer board (6x on each side).



No. 10 (2x) - 5x70  (12x)

4. Place and screw the cross board to the uprights.



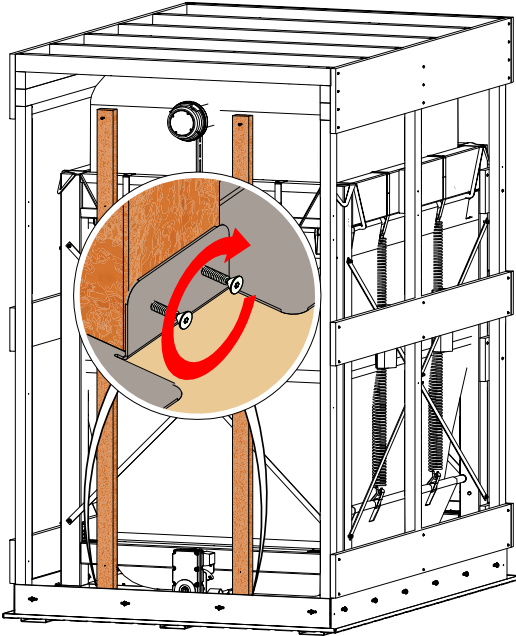
No. 11 (1x) - 5x70  (8x)


Assembly of the door stands

NOTICE

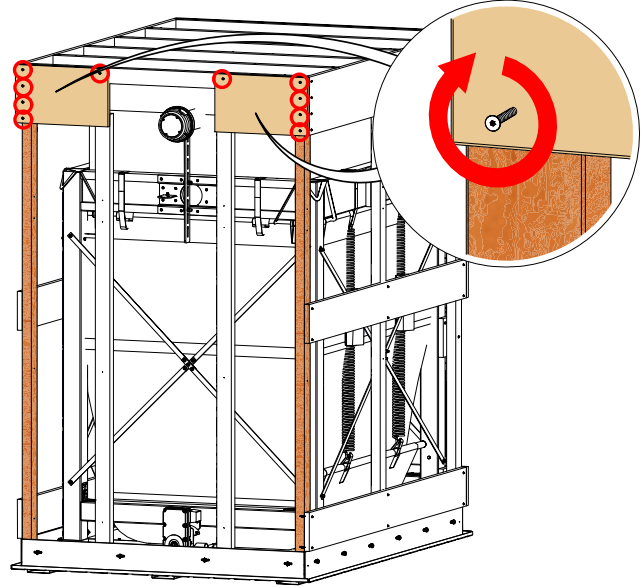
The stands must be pre-drilled.


1. Place and screw the two stands to the foot profile.



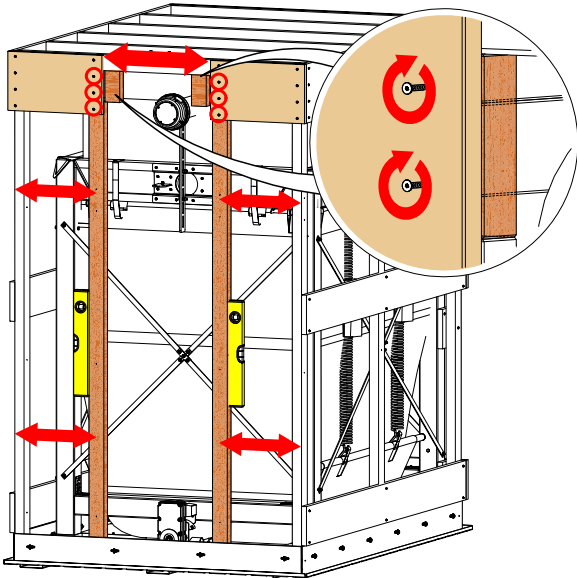
No. 9 (2x) - 5x40  (4x)


2. Place and screw the two cross boards to the rafters and corner stands.



No. 20 (2x) - 5x70  (10x)

3. Place and screw the two upright extensions to the cross boards and screw the cross board to the door uprights. **Note:** Both uprights should be screwed at the same distance from the front uprights.



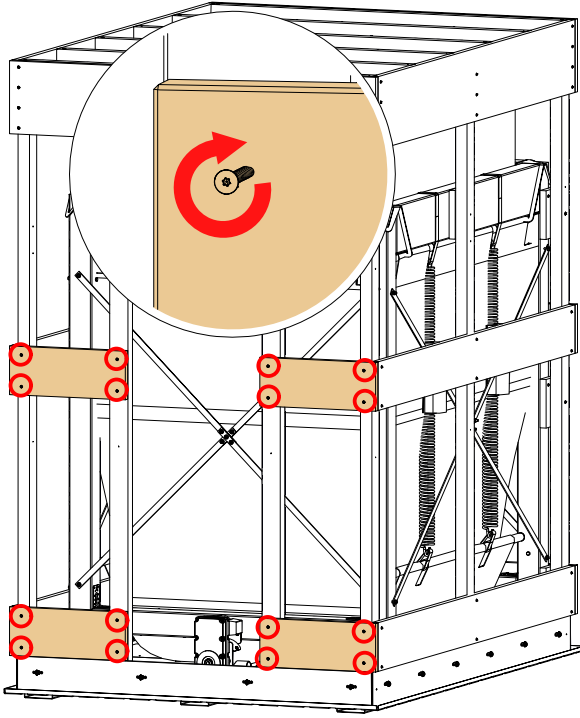
No. 14 (2x) - 5x70  (6x)

Assembly of the cross boards door

NOTICE

The cross boards of the door must be pre-drilled.

1. Place and screw the 4 cross boards to the stands.

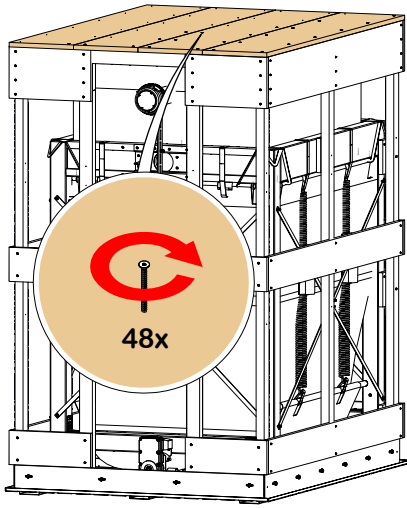
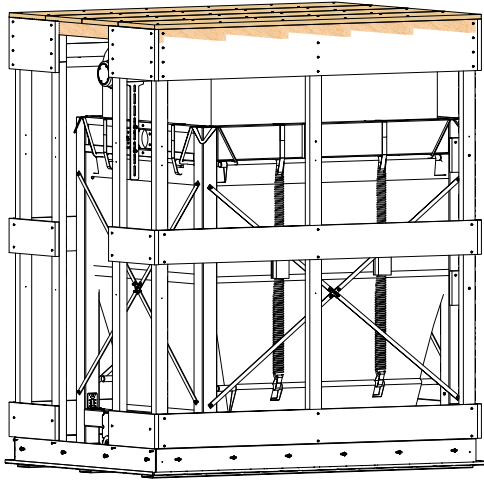


No. 15 (4x) - 5x70  (16x)

Assembly roof

NOTICE

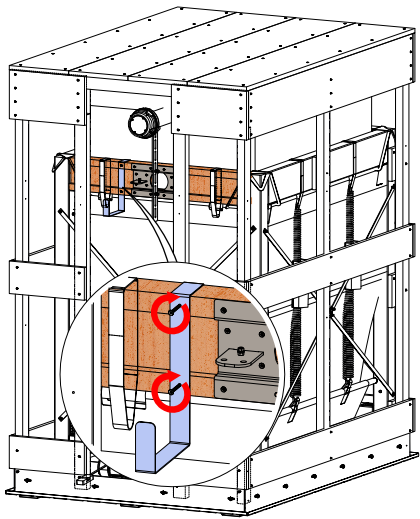
The roof boards must be pre-drilled.

<p>1. Place and screw the 4 roof boards.</p>	<p>Screw the roof boards 2x to each rafter. The roof boards must be flush with the cross and longitudinal boards.</p>
 <p>No. 17 (4x) - 5x70 (48x)</p>	



After installing the roof boards, they must be sanded all around to prevent damage to the film.

Mounting door holder

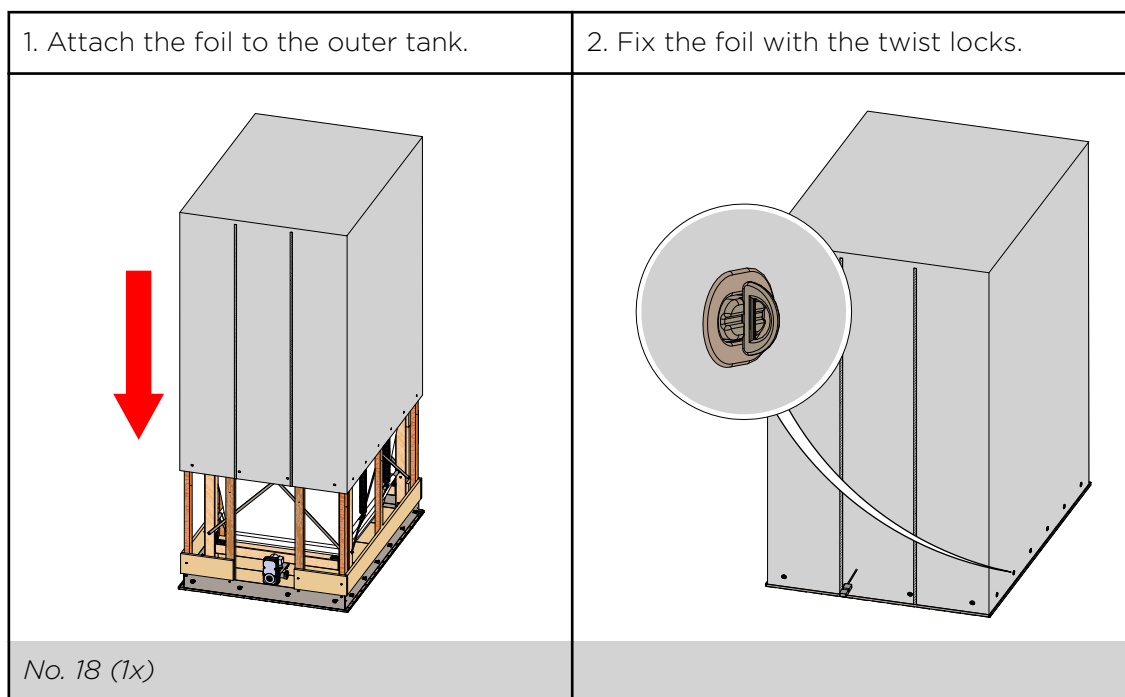
<p>1. Place and screw the door holder to the beam of the fabric tank.</p>
 <p>No. 16 (1x) - 5x40 (2x)</p>

9 Application foil



At least two people and a stepladder are needed to apply the foil.

1. Unwrap the foil and make sure that the zipper is on the front side.
2. Open both zippers to 20 cm.
3. Place the foil on the roof and align it so that the foil can be pulled down at the corners.
4. Start with the backmost corners and pull the foil down.
5. Pull the foil down at the front corners.
6. Check the orientation of the foil and adjust it if necessary.
7. Once the foil is aligned, it can be fixed with the twist locks.



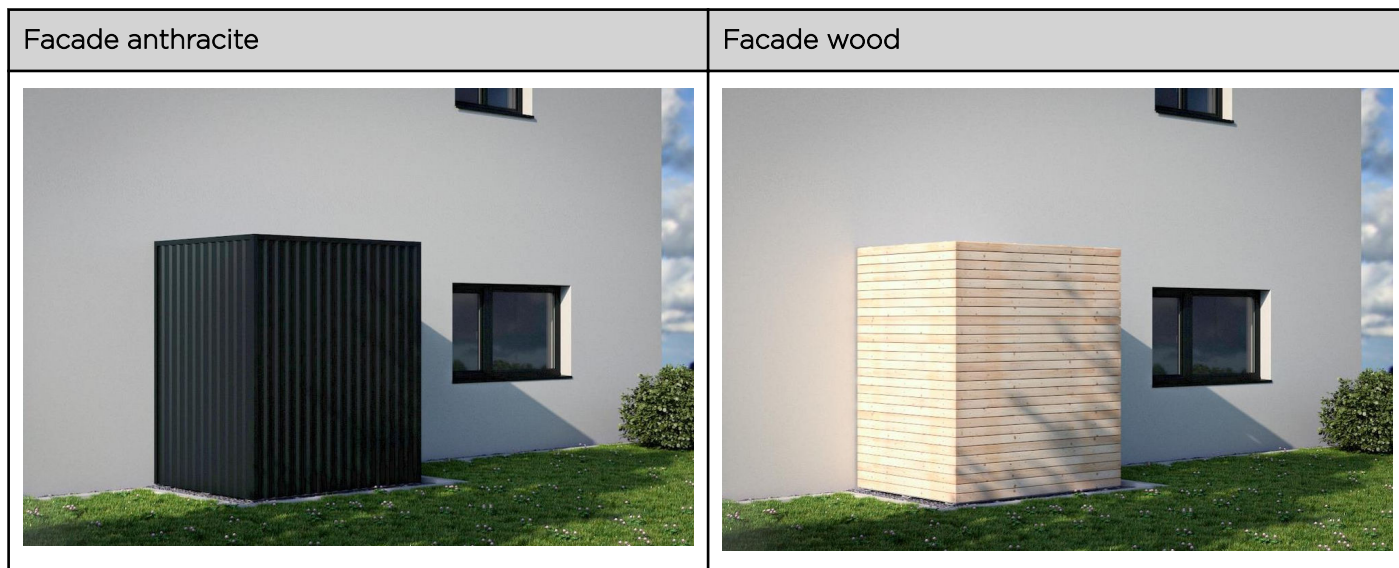
A rope can be pulled through the eyelets on site for securing.

CAUTION

To ensure protection from the weather, the foil must always be closed.

9.1 Do-it-Yourself facade

The Pellet Outside Storage can be optionally clad with a do-it-yourself facade.



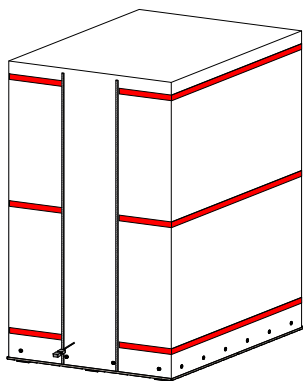
NOTICE

Nail sealing tape

Use the enclosed nail sealing tape to seal the outer tank.

- ▶ Screw the facade to the center of the nailing strip!

Mount the nail sealing tape on the outside of the foil.



No. 22



The nail sealing strip must be installed centrally at the same height as the cross and longitudinal boards below.

10 Line routing

Mounting the connection flange on the outer tank



For the line routing, the foil and the wood must be drilled through in the area of the discharge motor on the left or right side of a longitudinal board.

Depending on the conditions on site, the placement of the line routing may vary.

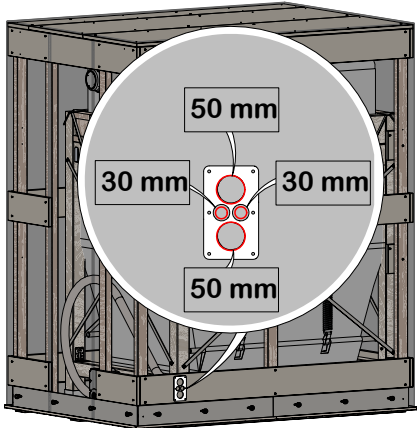
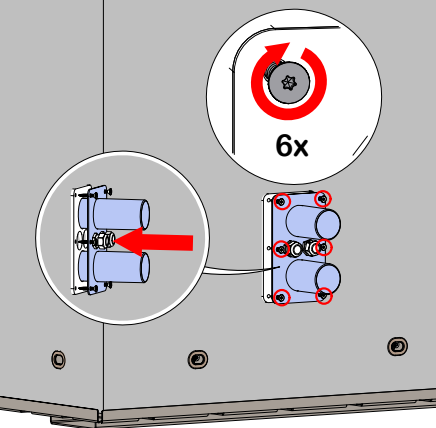
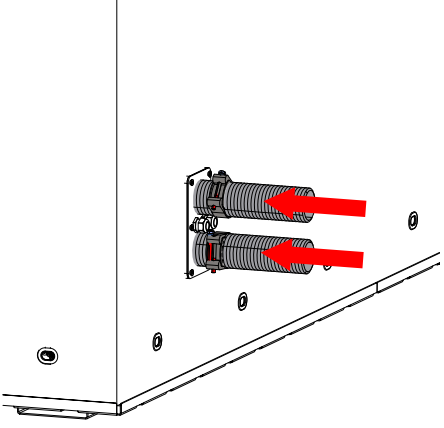
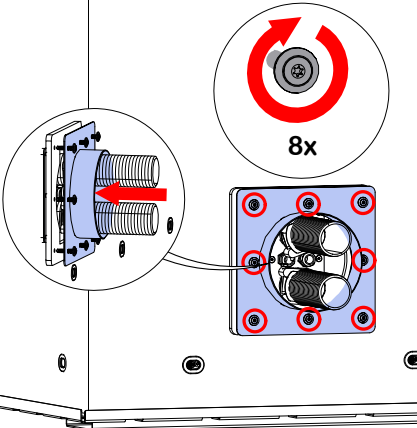
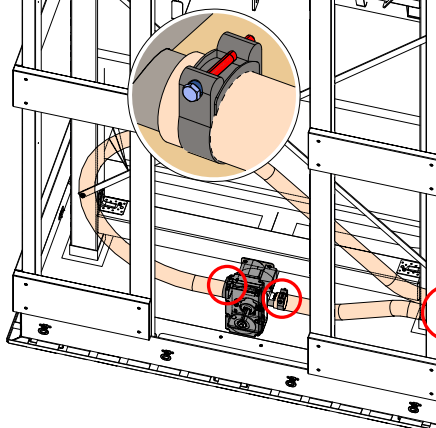
NOTICE

Drill carefully so that the foil does not tear.



Hole saw approx. $\varnothing 51 \text{ mm} \pm 1 \text{ mm}$ for nozzles suction hoses

Hole saw approx. $\varnothing 30 \text{ mm} \pm 1 \text{ mm}$ for cable entry

1. Drill through wood and foil.	2. Fasten the suction socket set with 6 screws.	3. Mount and fasten pellet hoses.
		
4. Fasten the suction socket set with 8 screws.	5. Mount and fasten pellet hoses inside the tank.	
		
Nr. 24 (1x)		

Mounting wall connection



Check with the builder or an expert to determine the appropriate penetration for a brick wall.

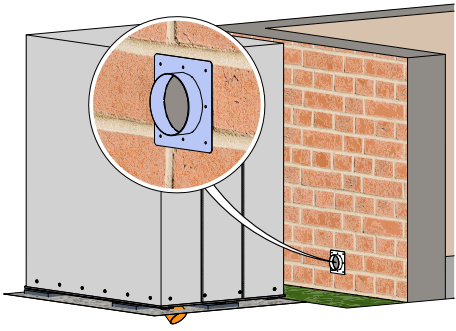
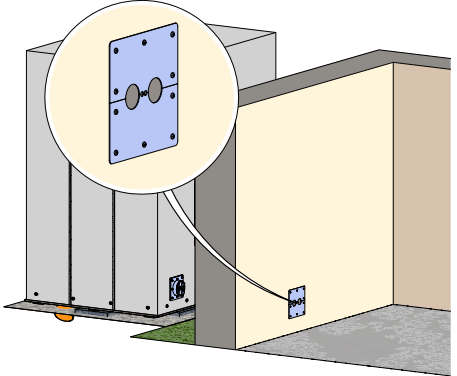
NOTICE

Pellet hoses laid outdoors must be protected from UV radiation by a protective tube (provided by customer).

- ▶ Pipe with \varnothing 160 mm made of plastic is sufficient.

NOTICE

Bends greater than 45° are to be avoided!

1. Mount the wall connection on the outside of the building.	2. Mount the wall connection on the inside of the building.
	
No. 25 (1x)	No. 26 (1x)

NOTICE

Install a fire protection collar with every hose!

Professional wall duct against pressing water (optional)

Art. No.	Description
Z178	Professional wall duct against pressing water for 2 pellet hoses (suction hose/return air) and cable entry, incl. 2 fire protection collars, \varnothing 200 mm



There are different regulations in the different European countries. Please mind the prescription of your country.

ÖkoFEN